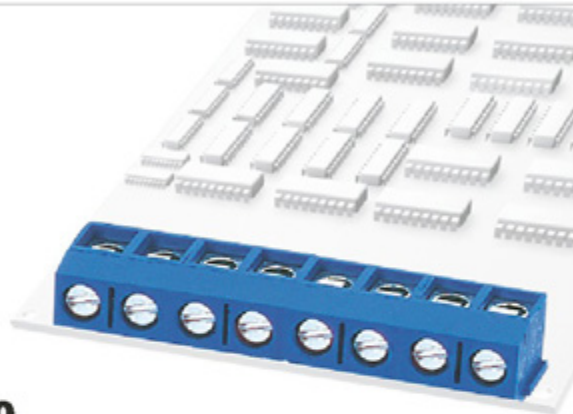


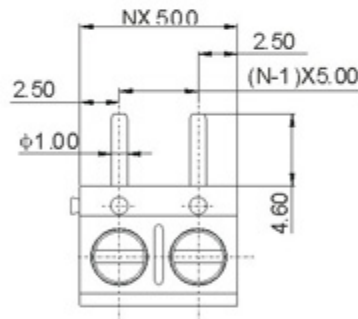


# DEGSON ELECTRONICS CO., LTD.

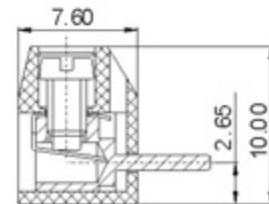
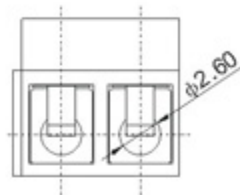
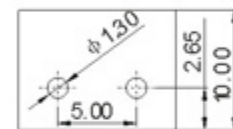
## Product Specification



**DG301R-5.0**



PCB LAYOUT

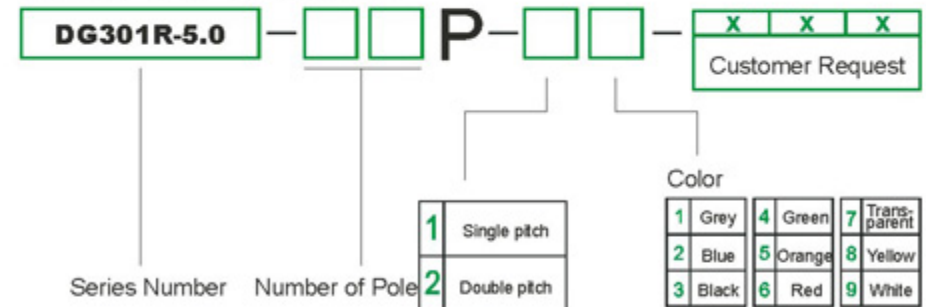


<b>Approval</b>		
<b>Electrical</b>		
Standard	UL	IEC
Rated voltage	300V	250V
Rated current	15A	17.5A
Wire range	22-14AWG	1.5mm <sup>2</sup>
With standing voltage	AC2000V/1Min	

<b>Mechanical</b>	
Torque	0.4Nm(3.5Lb-In.)
Ambient temperature	-30°C~+120°C
Strip length	5-6mm
<b>Dimensions</b>	
Pitch	5.0mm(.197")
Poles	2P,3P-24P

<b>Material</b>	
Housing	PBT, UL94V-0
Screws	M2.5, steel, Cr <sup>3+</sup> Zn plated
Pin header	Brass, Tin plated
Wire guard	Stainless steel

### HOW TO ORDER



		<b>DEGSON ELECTRONICS CO., LTD.</b>
	NAME	<b>DG301R-5.0</b>