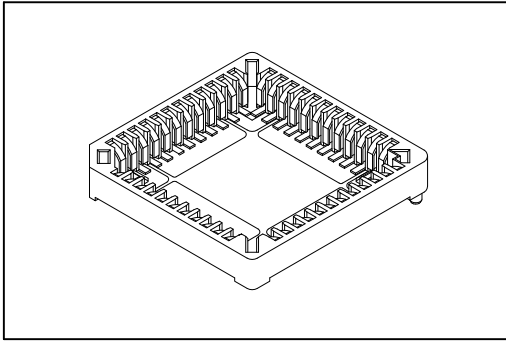


# 5203 Series

## P.L.C.C. Socket S.M.D. Type



### Material:

Housing: High Temperature Plastic UL94V-0. withstands IR and VPR soldering methods.

Contacts: Phosphor Bronze.

### Electrical Characteristics:

Current Rating: 1 A.

Dielectric Withstanding Voltage: AC 500V.

Insulator Resistance: 1000M $\Omega$  min.

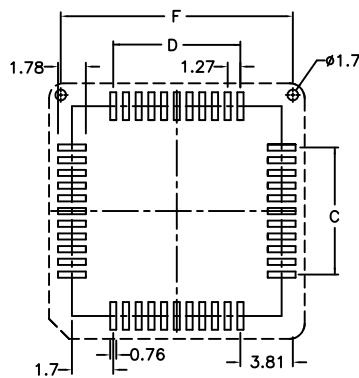
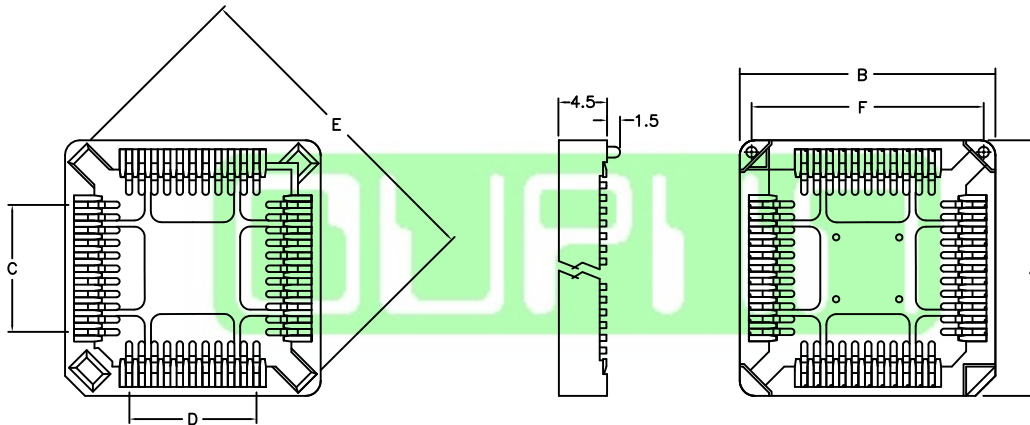
Contact Resistance: 20m $\Omega$  max.

Operating Temperature: -55°C~+105°C.

Capacitance: 1.0pF max between adjacent contacts.

### Features:

- \* Surface mount.
- \* Hi-Temp plastic (PPS).
- \* Low profile 4.46mm(0.176") height.
- \* Accept chip carriers conforming to JEDEC spec.



P.C. Board Layout

Position	Dimension					
	A	B	C	D	E	F
20	15.24	15.24	5.08	5.08	16.70	12.70
28	17.78	17.78	7.62	7.62	20.30	15.24
32	18.20	20.74	7.62	10.16	22.76	17.78
44	23.28	23.28	12.70	12.70	28.05	20.32
52	25.82	25.82	15.24	15.24	31.10	22.86
68	30.82	30.82	20.32	20.32	38.30	27.94
84	35.90	35.90	25.40	25.40	45.50	33.02

## Ordering information

5203-

Series

84

No. of  
Pin Count

T

T: Tin Plated

D

D: SMD Type

P

P: With Post  
N: Without Post

U

U: Tube Package  
T: Tape & Reel Package

\* Extraction tool (5203-Tool) Available.