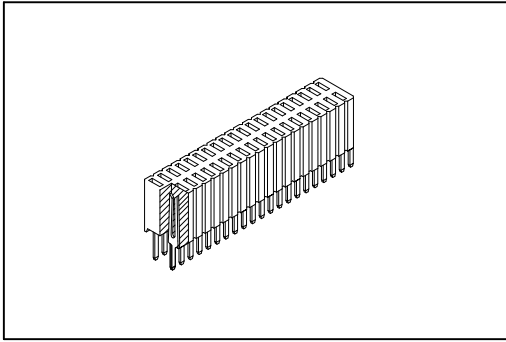


2244 Series

P.C.B. Socket 1.27mmX2.54mm(0.050"X0.100")



Material:

Housing: High Temperature Plastic UL94V-0.

Contacts: Phosphor Bronze.

Electrical Characteristics:

Current Rating: 1 A.

Dielectric Withstanding Voltage: AC 500V.

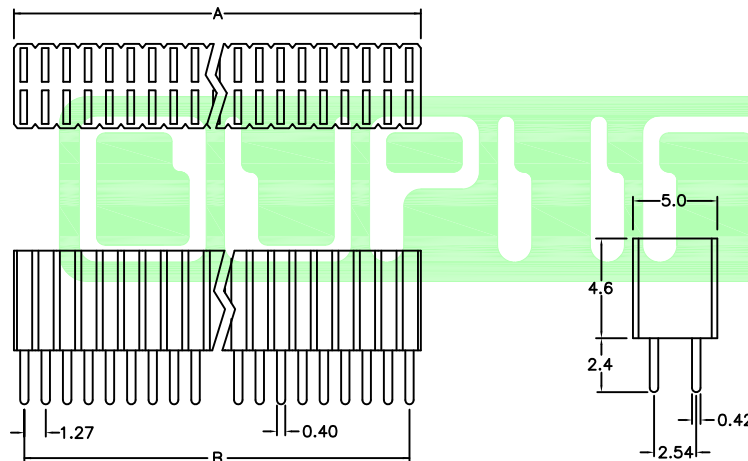
Insulator Resistance: 1000MΩ min.

Contact Resistance: 20mΩ max.

Operating Temperature: -40°C~+105°C.

Features:

- * Straight type.
 - * Low profile 4.6mm(0.181").
 - * Mates with 0.46mm(0.018") square pin.
- Mates with: 2211,2212,2214.



P.C.Board Layout

Position	6 Thru 80
Dimension	
A	1.27 X No. of Positions /2
B	1.27 X No. of Positions /2 -1.27

Ordering information

2244- 2 X 40 G 00 S B
 Series Double Row No. of Pin Per Row G: Gold Plated T: Tin Plated 00: G/F S: Straight B: Bulk Package U: Tube Package